

# ADJD-S313-QR999

## Miniature Surface-Mount RGB Digital Color Sensor



### Data Sheet

#### Description

The ADJD-S313-QR999 is a cost effective, CMOS digital output RGB color sensor in miniature surface-mount package with a mere size of 5x5x0.75mm. The IC comes with integrated RGB filters, an analog-to-digital converter and a digital core for communication and sensitivity control. The output allows direct interface to micro-controller or other logic control for further signal processing without the need of any additional components.

This device is designed to cater for wide dynamic range of illumination level and is ideal for applications like portable or mobile devices which demand higher integration, smaller size and low power consumption. Sensitivity control is performed by the serial interface and can be optimized individually for the different color channel. The sensor can also be used in conjunction with a white LED for reflective color management.

#### General Specifications

| Feature   | Value   |
|-----------|---|
| Interface | 100kHz serial interface                       |
| Supply    | 2.6V digital (nominal), 2.6V analog (nominal) |

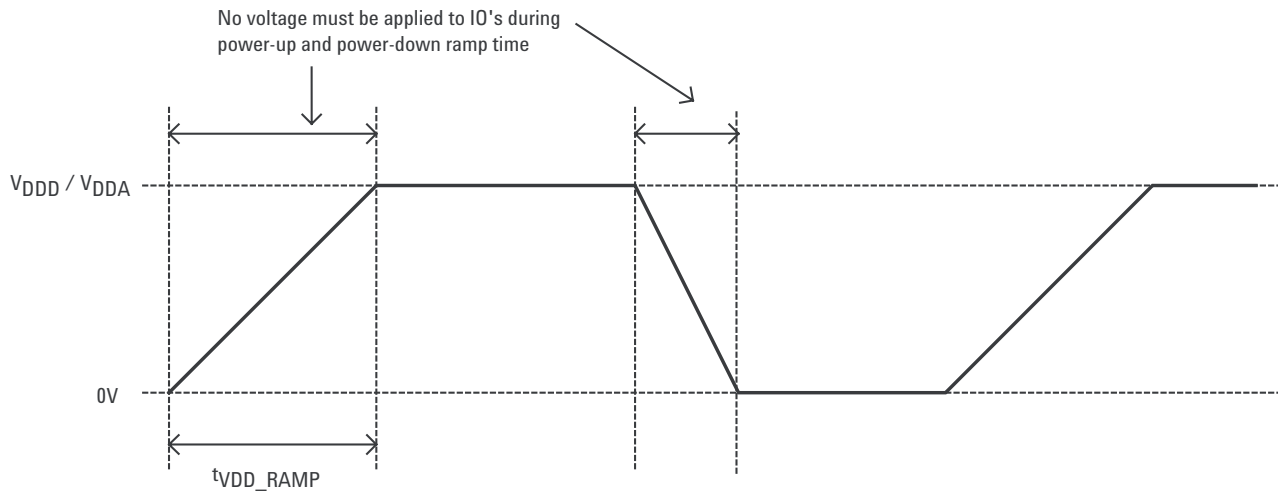
#### Features

- Fully integrated RGB digital color sensor
- Digital I/O via 2-wire serial interface
- Industry's smallest form factor – QFN 5x5x0.75mm
- Adjustable sensitivity for different levels of illumination
- Uniformly distributed RGB photodiode array
- 7 bit resolution per channel output
- Built in internal oscillator
- Sleep function when not in use
- No external components
- Low supply voltage ( $V_{DD}$ ) 2.6V
- 0°C to 70°C operating temperature
- Lead free package

#### Applications

- General color detection and measurement
- Mobile appliances such as mobile phones, PDAs, MP3 players, etc.
- Consumer appliances
- Portable medical equipments
- Portable color detector/reader

## Powering the Device



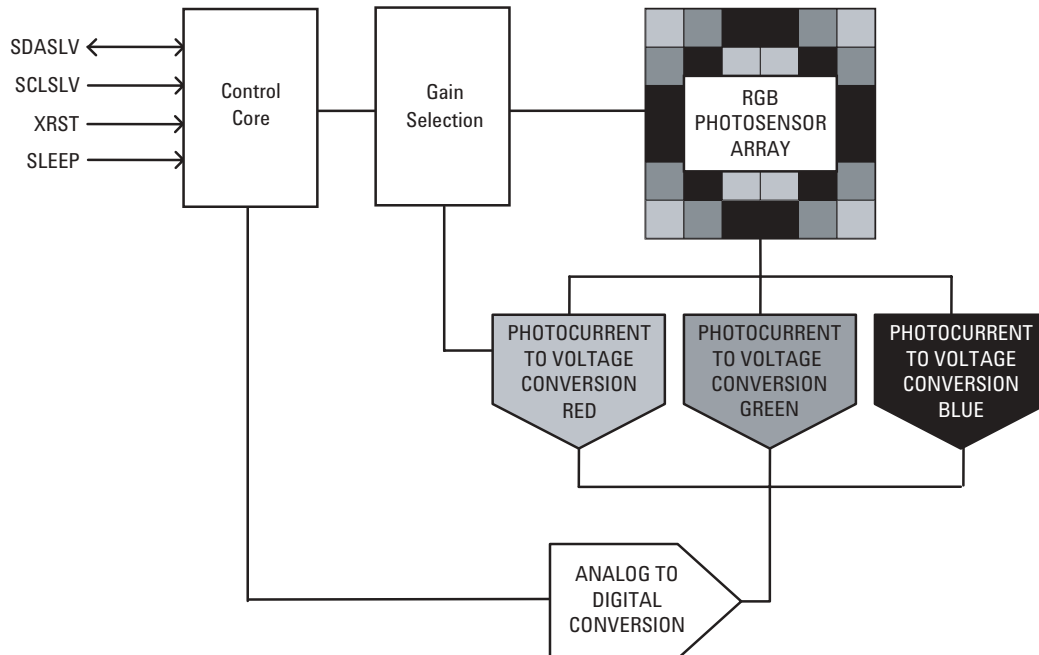
## ESD Protection Diode Turn-On During Power-Up and Power-Down

A particular power-up and power-down sequence must be used to prevent any ESD diode from turning on inadvertently. The figure above describes the sequence. In general, AVDD and DVDD should power-up and powerdown together to prevent ESD diodes from turning on inadvertently. During this period, no voltage should be applied to the IO's for the same reason.

## Ground Connection

AGND and DGND must both be set to 0V and preferably star-connected to a central power source as shown in the application diagram. A potential difference between AGND and DGND may cause the ESD diodes to turn on inadvertently.

## Block Diagram



## Electrical Specifications

### Absolute Maximum Ratings (Notes 1 & 2)

| Parameter                            | Symbol           | Minimum | Maximum       | Units | Notes  |
|--------------------------------------|------------------|---------|---------------|-------|--|
| Storage temperature                  | $T_{STG\_ABS}$   | -40     | 85            | °C    |  |
| Digital supply voltage, DVDD to DVSS | $V_{DDD\_ABS}$   | -0.5    | 3.7           | V     |  |
| Analog supply voltage, AVDD to AVSS  | $V_{DDA\_ABS}$   | -0.5    | 3.7           | V     |  |
| Input voltage                        | $V_{IN\_ABS}$    | -0.5    | $V_{DDD}+0.5$ | V     | All I/O pins                                 |
| Solder Reflow Peak temperature       | $T_{L\_ABS}$     |         | 235           | °C    |  |
| Human Body Model ESD rating          | $ESD_{HBM\_ABS}$ |         | 2             | kV    | All pins, human body model per JESD22-A114-B |

### Recommended Operating Conditions

| Parameter                            | Symbol    | Minimum       | Typical | Maximum       | Units |
|--------------------------------------|-----------|---------------|---------|---------------|-------|
| Free air operating temperature       | $T_A$     | 0             | 25      | 70            | °C    |
| Digital supply voltage, DVDD to DVSS | $V_{DDD}$ | 2.5           | 2.6     | 3.6           | V     |
| Analog supply voltage, AVDD to AVSS  | $V_{DDA}$ | 2.5           | 2.6     | 3.6           | V     |
| Output current load high             | $I_{OH}$  |               |         | 3             | mA    |
| Output current load low              | $I_{OL}$  |               |         | 3             | mA    |
| Input voltage high level (Note 4)    | $V_{IH}$  | $0.7 V_{DDD}$ |         | $V_{DDD}$     | V     |
| Input voltage low level (Note 4)     | $V_{IL}$  | 0             |         | $0.3 V_{DDD}$ | V     |

### DC Electrical Specifications

Over Recommended Operating Conditions (unless otherwise specified)

| Parameter                          | Symbol           | Conditions     | Minimum       | Typical (Note 3) | Maximum | Units |
|------------------------------------|------------------|----------------|---------------|------------------|---------|-------|
| Output voltage high level (Note 5) | $V_{OH}$         | $I_{OH} = 3mA$ | $V_{DDD}-0.8$ | $V_{DDD}-0.4$    |         | V     |
| Output voltage low level (Note 6)  | $V_{OL}$         | $I_{OL} = 3mA$ |               | 0.2              | 0.4     | V     |
| Dynamic supply current (Note 7,8)  | $I_{DD\_DYN}$    | (Note 9)       |               | 9.4              | 14      | mA    |
| Static supply current (Note 8)     | $I_{DD\_STATIC}$ | (Note 9)       |               | 2.7              |         | mA    |
| Sleep-mode supply current (Note 8) | $I_{DD\_SLP}$    | (Note 9)       |               | 0.2              | 15      | uA    |
| Input leakage current              | $I_{LEAK}$       |                | -10           |                  | 10      | uA    |

### AC Electrical Specifications

| Parameter                | Symbol    | Conditions | Minimum | Typical (Note 3) | Maximum | Units |
|--------------------------|-----------|------------|---------|------------------|---------|-------|
| Internal clock frequency | $f_{CLK}$ |            | 16      | 26               | 38      | MHz   |

## Optical Specification

| Parameter    | Symbol | Conditions | Minimum | Typical (Note 3) | Maximum | Units |
|--------------|--------|------------|---------|------------------|---------|-------|
| Dark offset* | $V_D$  | $E_e = 0$  |         | 65               |         | LSB   |

\*code is from dark code to (dark code + 128LSB)

### Minimum sensitivity

| Parameter               | Symbol | Conditions                            | Minimum | Typical (Note 3) | Maximum | Units                          |
|-------------------------|--------|---------------------------------------|---------|------------------|---------|--------------------------------|
| Irradiance Responsivity | Re     | $\lambda_p = 460$ nm<br>Refer Note 10 | B       | 33               |         | LSB /<br>(mW/cm <sup>2</sup> ) |
|                         |        | $\lambda_p = 542$ nm<br>Refer Note 11 | G       | 47               |         |                                |
|                         |        | $\lambda_p = 622$ nm<br>Refer Note 12 | R       | 73               |         |                                |

### Maximum sensitivity

| Parameter               | Symbol | Conditions                            | Minimum | Typical (Note 3) | Maximum | Units                          |
|-------------------------|--------|---------------------------------------|---------|------------------|---------|--------------------------------|
| Irradiance Responsivity | Re     | $\lambda_p = 460$ nm<br>Refer Note 10 | B       | 1104             |         | LSB /<br>(mW/cm <sup>2</sup> ) |
|                         |        | $\lambda_p = 542$ nm<br>Refer Note 11 | G       | 1552             |         |                                |
|                         |        | $\lambda_p = 622$ nm<br>Refer Note 12 | R       | 2210             |         |                                |

### Minimum sensitivity

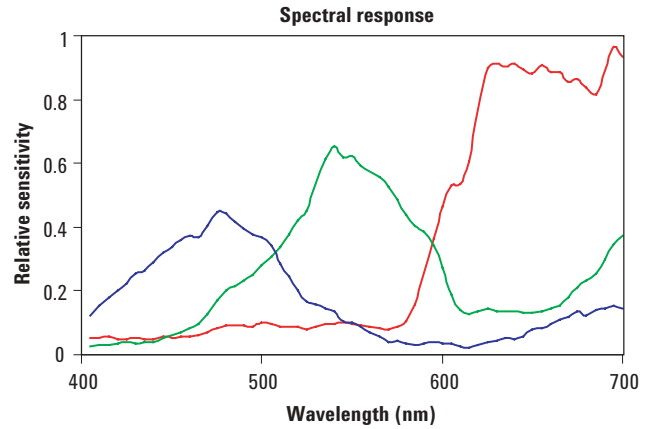
| Parameter                          | Symbol | Conditions                            | Minimum | Typical (Note 3) | Maximum | Units                  |
|------------------------------------|--------|---------------------------------------|---------|------------------|---------|------------------------|
| Saturation Irradiance<br>(note 13) |        | $\lambda_p = 460$ nm<br>Refer Note 10 | B       | 4.59             |         | mW/<br>cm <sup>2</sup> |
|                                    |        | $\lambda_p = 542$ nm<br>Refer Note 11 | G       | 3.18             |         |                        |
|                                    |        | $\lambda_p = 622$ nm<br>Refer Note 12 | R       | 2.05             |         |                        |

### Maximum sensitivity

| Parameter                          | Symbol | Conditions                            | Minimum | Typical (Note 3) | Maximum | Units                  |
|------------------------------------|--------|---------------------------------------|---------|------------------|---------|------------------------|
| Saturation Irradiance<br>(note 13) |        | $\lambda_p = 460$ nm<br>Refer Note 10 | B       | 0.14             |         | mW/<br>cm <sup>2</sup> |
|                                    |        | $\lambda_p = 542$ nm<br>Refer Note 11 | G       | 0.10             |         |                        |
|                                    |        | $\lambda_p = 622$ nm<br>Refer Note 12 | R       | 0.07             |         |                        |

Notes:

1. The "Absolute Maximum Ratings" are those values beyond which damage to the device may occur. The device should not be operated at these limits. The parametric values defined in the "Electrical Specifications" table are not guaranteed at the absolute maximum ratings. The "Recommended Operating Conditions" table will define the conditions for actual device operation.
2. Unless otherwise specified, all voltages are referenced to ground.
3. Specified at room temperature (25°C) and  $V_{DD} = V_{DDA} = 2.6V$ .
4. Applies to all DI pins.
5. Applies to all DO pins. SDASLV go tri-state when output logic high. Minimum  $V_{OH}$  depends on the pull-up resistor value.
6. Applies to all DO and DIO pins.
7. Dynamic testing is performed with the IC operating in a mode representative of typical operation.
8. Refers to total device current consumption.
9. Output and bidirectional pins are not loaded.
10. Test condition is blue light of peak wavelength ( $\lambda_p$ ) 460 nm and spectral half width ( $\Delta\lambda_{1/2}$ ) 25 nm.
11. Test condition is green light of peak wavelength ( $\lambda_p$ ) 542 nm and spectral half width ( $\Delta\lambda_{1/2}$ ) 35 nm
12. Test condition is red light of peak wavelength ( $\lambda_p$ ) 622 nm and spectral half width ( $\Delta\lambda_{1/2}$ ) 20 nm
13. Saturation irradiance = (MSB)/(Irradiance responsivity)



Typical spectral response when the gains for all the color channels are set at equal.

### Serial Interface Timing Information

| Parameter                                       | Symbol       | Minimum | Maximum | Units   |
|---|--------------|---------|---------|---------|
| SCL clock frequency                             | $f_{scl}$    | 0       | 100     | kHz     |
| (Repeated) START condition hold time            | $t_{HD:STA}$ | 4       | -       | $\mu s$ |
| Data hold time                                  | $t_{HD:DAT}$ | 0       | 3.45    | $\mu s$ |
| SCL clock low period                            | $t_{LOW}$    | 4.7     | -       | $\mu s$ |
| SCL clock high period                           | $t_{HIGH}$   | 4.0     | -       | $\mu s$ |
| Repeated START condition setup time             | $t_{SU:STA}$ | 4.7     | -       | $\mu s$ |
| Data setup time                                 | $t_{SU:DAT}$ | 250     | -       | ns      |
| STOP condition setup time                       | $t_{SU:STO}$ | 4.0     | -       | $\mu s$ |
| Bus free time between START and STOP conditions | $t_{BUF}$    | 4.7     | -       | $\mu s$ |

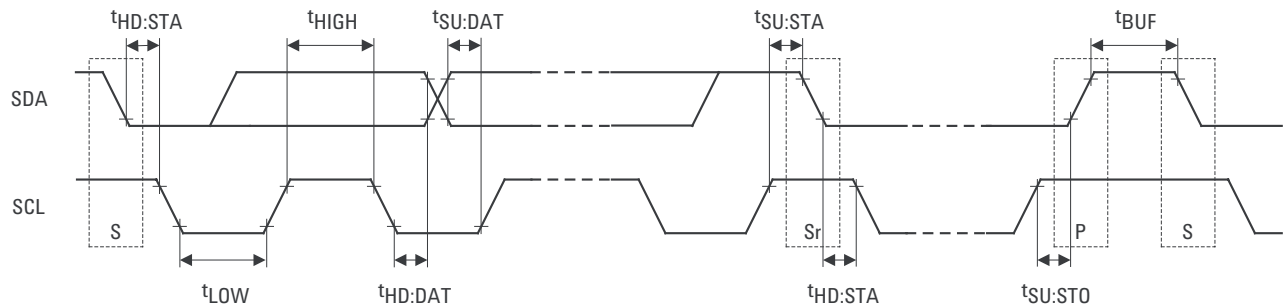
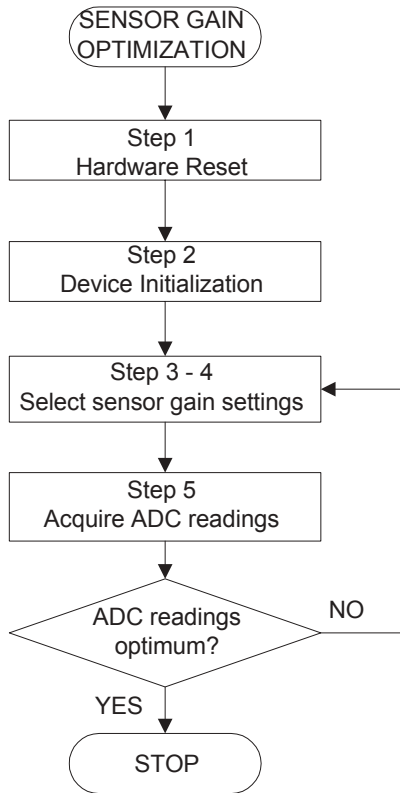


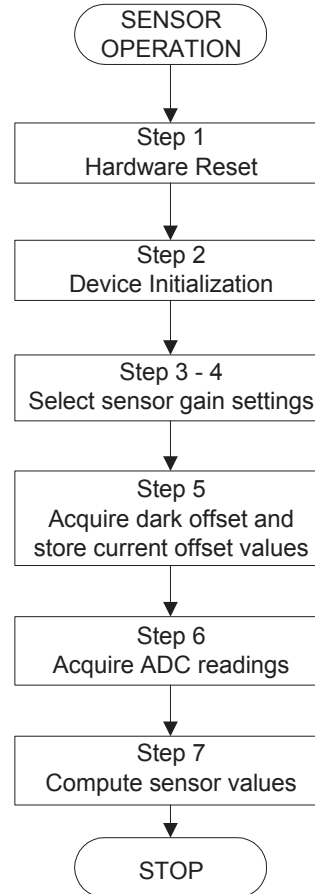
Figure 1. Serial Interface Bus Timing Waveforms

## High Level Description

The sensor needs to be configured before it can be used. The gain selection needs to be set for optimum performance depending on light levels. The flowcharts below describe the different procedures required.



**Sensor gain optimization flowchart**



**Sensor operation flowchart**

\* Please refer to application note for more detailed information.

## Detail Description

A hardware reset (by asserting XRST) should be performed before starting any operation.

The user controls and configures the device by programming a set of internal registers through a serial interface. At the start of application, the following setup data must be written to the setup registers:

| Address (Hex) | Register | Setup Data (Hex) |
|---------------|----------|------------------|
| 03            | SETUP0   | 01               |
| 04            | SETUP1   | 01               |
| 0C            | SETUP2   | 01               |
| 0D            | SETUP3   | 01               |
| 0E            | SETUP4   | 01               |

### Sensor Gain Settings

The sensor gain can be adjusted by varying the photodiode size and integration time of the sensor manually through the following registers.

Sensor Sensitivity ~ Photodiode Size x Integration Time Slot

| Address (Hex) | Register | Description                    |
|---------------|----------|--------------------------------|
| 0B            | PDASR    | Red Channel Photodiode Size    |
| 0A            | PDASG    | Green Channel Photodiode Size  |
| 09            | PDASB    | Blue Channel Photodiode Size   |
| 11            | TINTR    | Red Channel Integration Time   |
| 10            | TINTG    | Green Channel Integration Time |
| 0F            | TINTB    | Blue Channel Integration Time  |

### Setup Value for Photodiode Size

The following value can be written to each of the photodiode size registers to adjust the gain of the sensor. The default value after reset for these registers is 07H.

| Value (Hex) | Photodiode Size |
|-------------|-----------------|
| 01          | ¼               |
| 03          | ½               |
| 07          | ¾               |
| 0F          | Full            |

### Setup Value for Integration Time

The following value can be written to each of the integration time registers to adjust the gain of the sensor. The default value after reset for these registers is 07H.

| Value (Hex) | Integration Time Slot |
|-------------|-----------------------|
| 00          | 1                     |
| 01          | 2                     |
| 02          | 3                     |
| 03          | 4                     |
| 04          | 5                     |
| 05          | 6                     |
| 06          | 7                     |
| 07          | 8                     |
| 08          | 9                     |
| 09          | 10                    |
| 0A          | 11                    |
| 0B          | 12                    |
| 0C          | 13                    |
| 0D          | 14                    |
| 0E          | 15                    |
| 0F          | 16                    |

### Sensor ADC Output Registers

To obtain sensor ADC value, '02' Hex must be written to ACQ register before reading the Sensor ADC Output Registers.

| Address (Hex) | Register | Description  |
|---------------|----------|--|
| 02            | ACQ      | Acquire sensor analog to digital converter (ADC) values when 02H is written. Reset to 00H when sensor acquisition is completed |
| 44            | ADCR     | Sensor Red channel ADC value   |
| 43            | ADCG     | Sensor Green channel ADC value   |
| 42            | ADCB     | Sensor Blue channel ADC value  |

## Serial Interface Reference

### Description

The programming interface to the ADJD-S313 is a 2-wire serial bus. The bus consists of a serial clock (SCL) and a serial data (SDA) line. The SDA line is bi-directional on ADJD-S313 and must be connected through a pull-up resistor to the positive power supply. When the bus is free, both lines are HIGH.

The 2-wire serial bus on ADJD-S313 requires one device to act as a master while all other devices must be slaves. A master is a device that initiates a data transfer on the bus, generates the clock signal and terminates the data transfer while a device addressed by the master is called a slave. Slaves are identified by unique device addresses.

Both master and slave can act as a transmitter or a receiver but the master controls the direction for data transfer. A transmitter is a device that sends data to the bus and a receiver is a device that receives data from the bus.

The ADJD-S313 serial bus interface always operates as a slave transceiver with a data transfer rate of up to 100kbit/s.

### START/STOP Condition

The master initiates and terminates all serial data transfers. To begin a serial data transfer, the master must send a unique signal to the bus called a START condition. This is defined as a HIGH to LOW transition on the SDA line while SCL is HIGH.

The master terminates the serial data transfer by sending another unique signal to the bus called a STOP condition. This is defined as a LOW to HIGH transition on the SDA line while SCL is HIGH.

The bus is considered to be busy after a START (S) condition. It will be considered free a certain time after the STOP (P) condition. The bus stays busy if a repeated START (Sr) is sent instead of a STOP condition.

The START and repeated START conditions are functionally identical.

### Data Transfer

The master initiates data transfer after a START condition. Data is transferred in bits with the master generating one clock pulse for each bit sent. For a data bit to be valid, the SDA data line must be stable during the HIGH period of the SCL clock line. Only during the LOW period of the SCL clock line can the SDA data line change state to either HIGH or LOW.

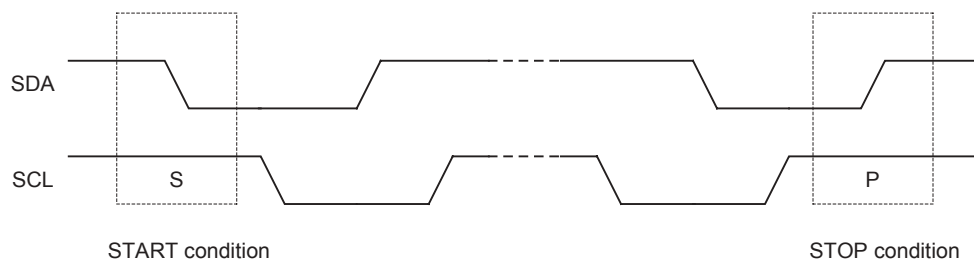


Figure 1. START/STOP Condition

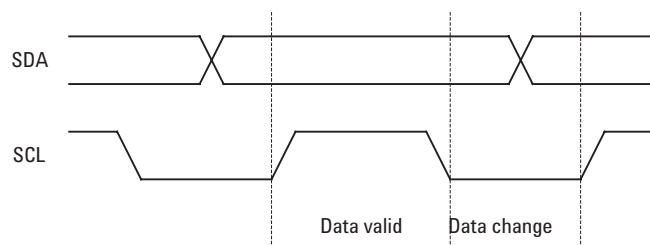


Figure 2. Data Bit Transfer

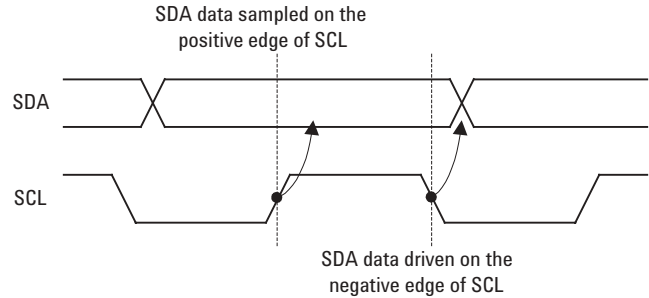


The SCL clock line synchronizes the serial data transmission on the SDA data line. It is always generated by the master. The frequency of the SCL clock line may vary throughout the transmission as long as it still meets the minimum timing requirements.

The master by default drives the SDA data line. The slave drives the SDA data line only when sending an acknowledge bit after the master writes data to the slave or when the master requests the slave to send data.

The SDA data line driven by the master may be implemented on the negative edge of the SCL clock line. The master may sample data driven by the slave on the positive edge of the SCL clock line. Figure 3 shows an example of a master implementation and how the SCL clock line and SDA data line can be synchronized.

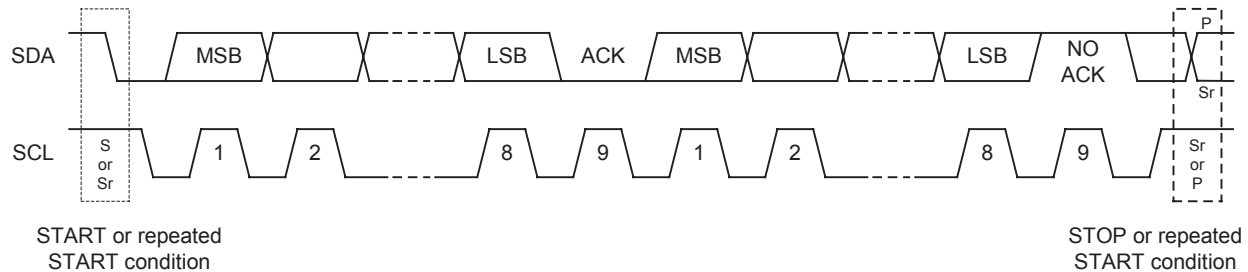
A complete data transfer is 8-bits long or 1-byte. Each byte is sent most significant bit (MSB) first followed by an acknowledge or not acknowledge bit. Each data transfer can send an unlimited number of bytes (depending on the data format).



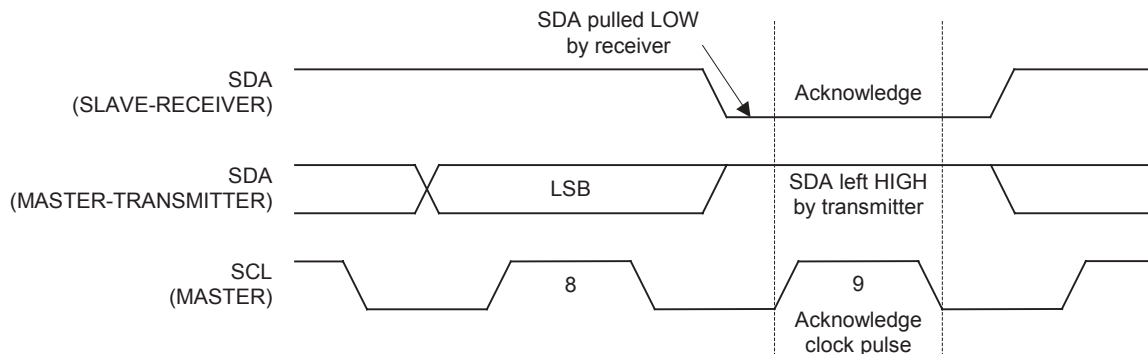
**Figure 3. Data Bit Synchronization**

**Acknowledge/Not acknowledge**

The receiver must always acknowledge each byte sent in a data transfer. In the case of the slave-receiver and master-transmitter, if the slave-receiver does not send an acknowledge bit, the master-transmitter can either STOP the transfer or generate a repeated START to start a new transfer.



**Figure 4. Data Byte Transfer**



**Figure 5. Slave-Receiver Acknowledge**

In the case of the master-receiver and slave-transmitter, the master generates a not acknowledge to signal the end of the data transfer to the slave-transmitter. The master can then send a STOP or repeated START condition to begin a new data transfer.

In all cases, the master generates the acknowledge or not acknowledge SCL clock pulse.

### Addressing

Each slave device on the serial bus needs to have a unique address. This is the first byte that is sent by the master-transmitter after the START condition. The address is defined as the first seven bits of the first byte.

The eighth bit or least significant bit (LSB) determines the direction of data transfer. A 'one' in the LSB of the first byte indicates that the master will read data from the addressed slave (master-receiver and slave-transmitter). A 'zero' in this position indicates that the master will write data to the addressed slave (master-transmitter and slave-receiver).

A device whose address matches the address sent by the master will respond with an acknowledge for the first byte and set itself up as a slave-transmitter or slave-receiver depending on the LSB of the first byte.

The slave address on ADJD-S313 is 0x58 (7-bits).

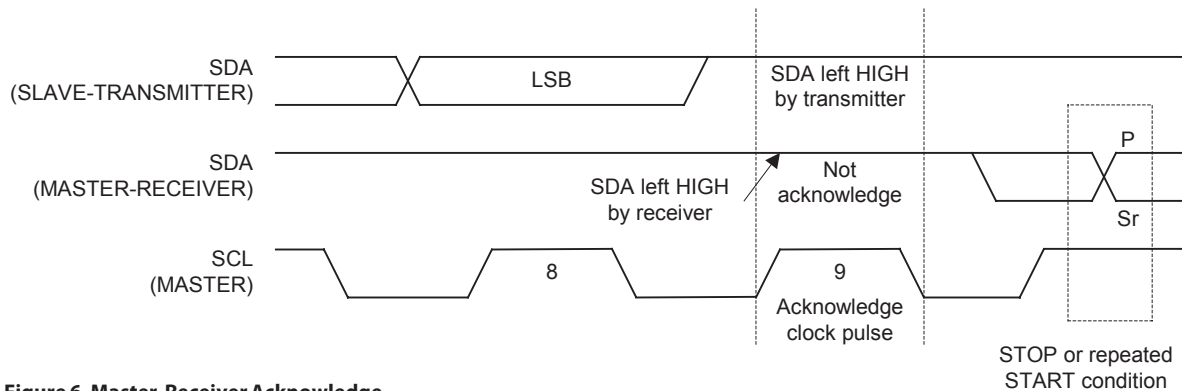


Figure 6. Master-Receiver Acknowledge

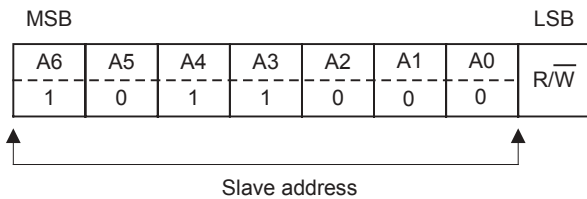


Figure 7. Slave Addressing

**Data format**

ADJD-S313 uses a register-based programming architecture. Each register has a unique address and controls a specific function inside the chip.

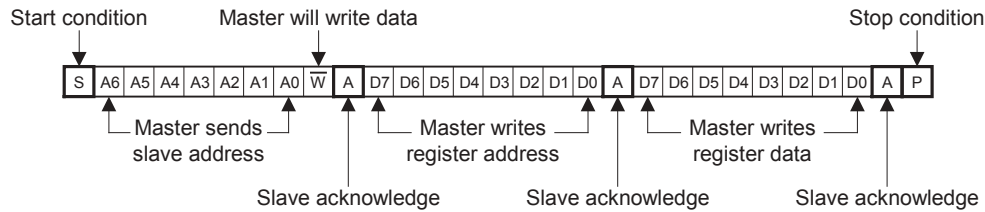
To write to a register, the master first generates a START condition. Then it sends the slave address for the device it wants to communicate with. The least significant bit (LSB) of the slave address must indicate that the master wants to write to the slave. The addressed device will then acknowledge the master.

The master writes the register address it wants to access and waits for the slave to acknowledge. The master then writes the new register data. Once the slave acknowledges, the master generates a STOP condition to end the data transfer.

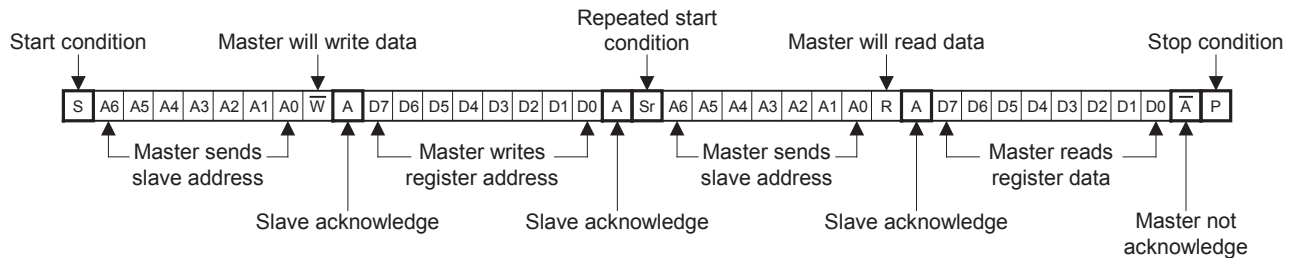
To read from a register, the master first generates a START condition. Then it sends the slave address for the device it wants to communicate with. The least significant bit (LSB) of the slave address must indicate that the master wants to write to the slave. The addressed device will then acknowledge the master.

The master writes the register address it wants to access and waits for the slave to acknowledge. The master then generates a repeated START condition and resends the slave address sent previously. The least significant bit (LSB) of the slave address must indicate that the master wants to read from the slave. The addressed device will then acknowledge the master.

The master reads the register data sent by the slave and sends a no acknowledge signal to stop reading. The master then generates a STOP condition to end the data transfer.



**Figure 8. Register Byte Write Protocol**



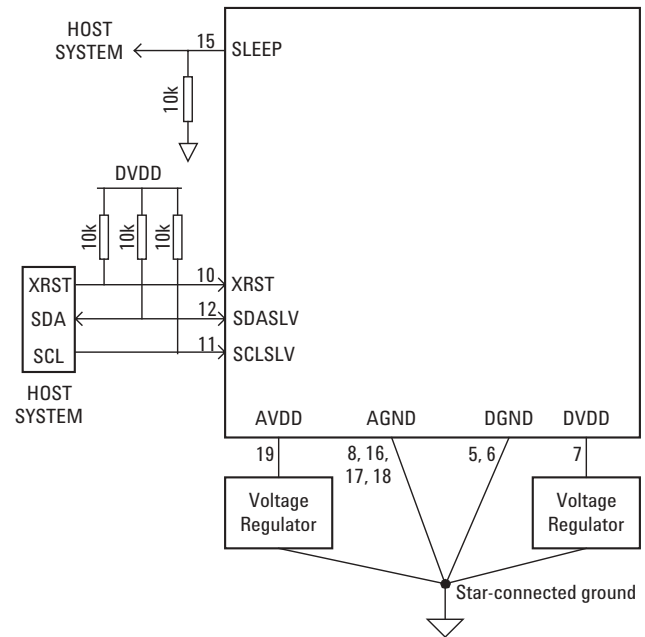
**Figure 9. Register Byte Read Protocol**

## Powering the Device

### Ground Connection

AGND and DGND must both be set to 0V and preferably star-connected to a central power source as shown in the application diagram. A potential difference between AGND and DGND may cause the ESD diodes to turn on inadvertently.

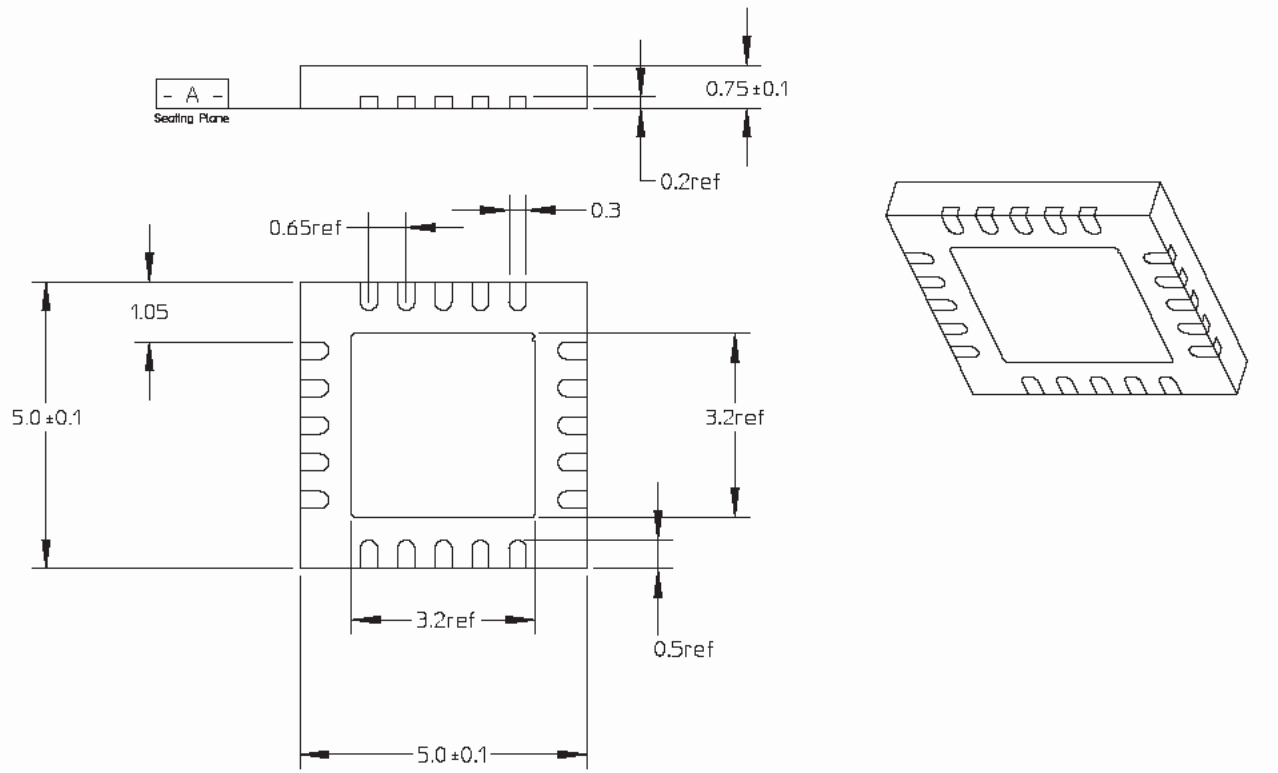
## Application Diagrams



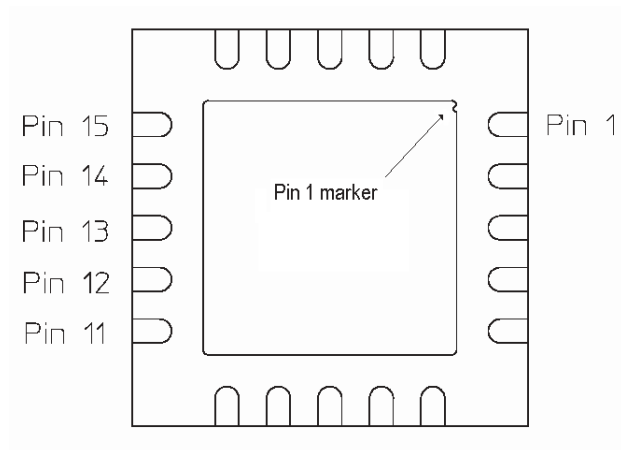
### Pin Information

| PIN | NAME   | TYPE                          | DESCRIPTION  |
|-----|--------|-------------------------------|--|
| 1   | NC     | No connect                    | No connect. Leave floating.  |
| 2   | NC     | No connect                    | No connect. Leave floating.  |
| 3   | NC     | No connect                    | No connect. Leave floating.  |
| 4   | NC     | No connect                    | No connect. Leave floating.  |
| 5   | DGND   | Ground                        | Tie to digital ground.   |
| 6   | DGND   | Ground                        | Tie to digital ground.   |
| 7   | DVDD   | Power                         | Digital power pin.   |
| 8   | AGND   | Ground                        | Tie to analog ground.  |
| 9   | NC     | No connect                    | No connect. Leave floating.  |
| 10  | XRST   | Input                         | Global, asynchronous, active-low system reset. When asserted low, XRST resets all registers. Minimum reset pulse low is 10 $\mu$ s and must be provided by external circuitry.   |
| 11  | SCLSLV | Input                         | SDASLV and SCLSLV are the serial interface communications pins. SDASLV is the bidirectional data pin and SCLSLV is the interface clock. A pull-up resistor should be tied to SDASLV because it goes tri-state to output logic 1. |
| 12  | SDASLV | Input/Output (tri-state high) |  |
| 13  | NC     | No connect                    | No connect. Leave floating.  |
| 14  | NC     | No connect                    | No connect. Leave floating.  |
| 15  | SLEEP  | Input                         | When SLEEP=1, the device goes into sleep mode. In sleep mode, all analog circuits are powered down and the clock signal is gated away from the core logic resulting in very low current consumption.                             |
| 16  | AGND   | Ground                        | Tie to analog ground.  |
| 17  | AGND   | Ground                        | Tie to analog ground.  |
| 18  | AGND   | Ground                        | Tie to analog ground.  |
| 19  | AVDD   | Power                         | Analog power pin.  |
| 20  | NC     | No connect                    | No connect. Leave floating.  |

## Package Dimensions



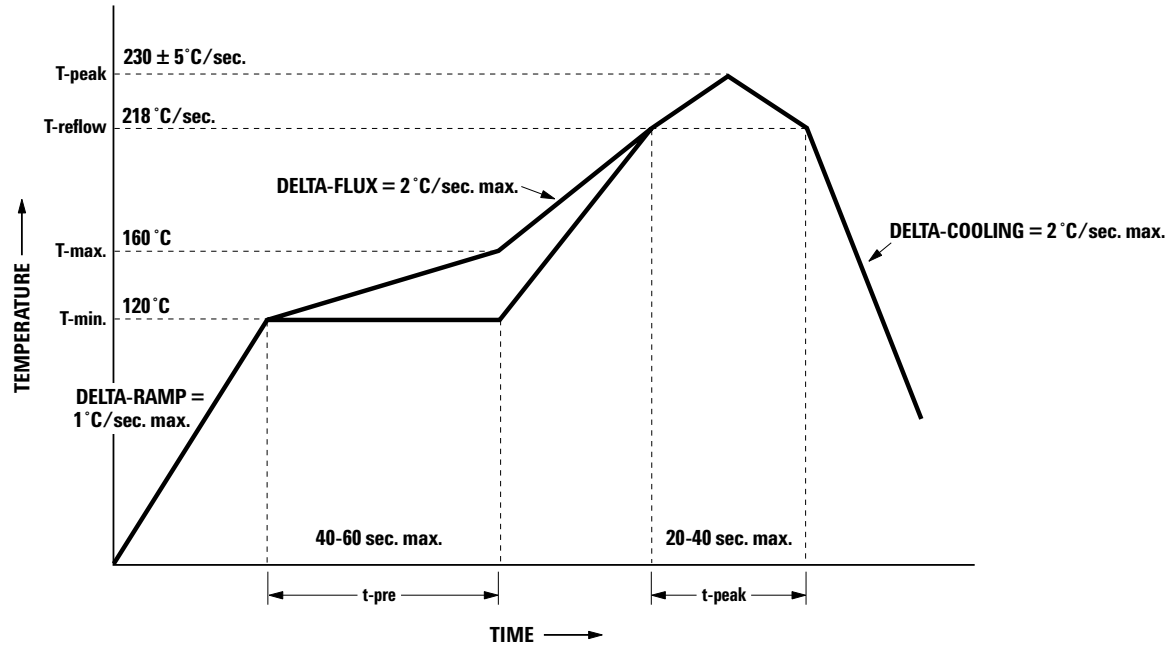
## Bottom View



NOTE: DIMENSIONS ARE IN MILLIMETERS (MM)

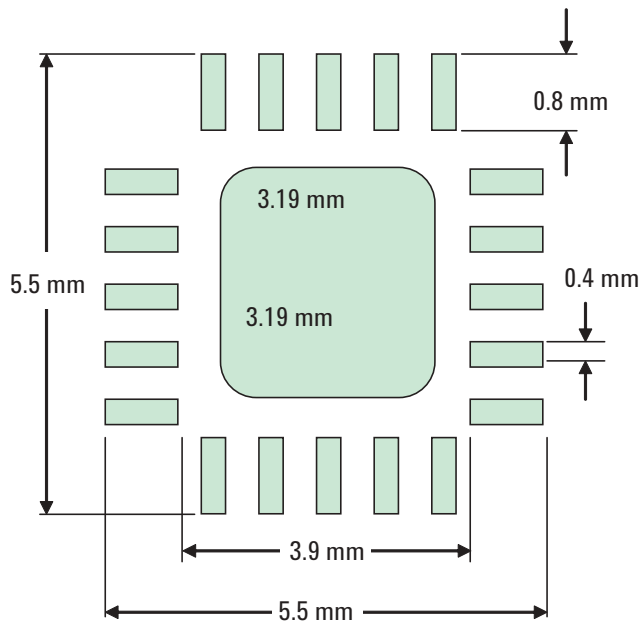
## Recommended Reflow Profile

It is recommended that Henkel Pb-free solder paste LF310 be used for soldering ADJD-S313. Below is the recommended soldering profile.



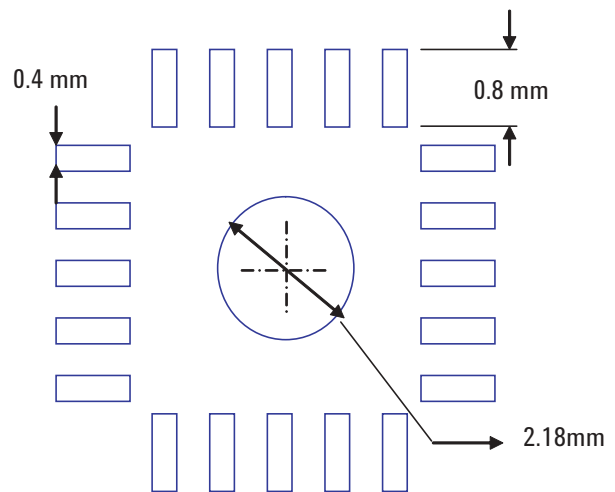
## 20 Lead QFN Recommended PCB Land Pad Design

IPC-SM-782 is used as the standard for the PCB land pad design. Recommended PCB finishing is OSP.



## 20 Lead QFN Recommended Stencil Design

A stencil thickness of  $2.18 \text{ mm}$  (6 mils) for this QFN package is recommended.



## Recommendations for Handling and Storage of ADJD-S313

### Before Opening the MBB (Moisture Barrier Bag)

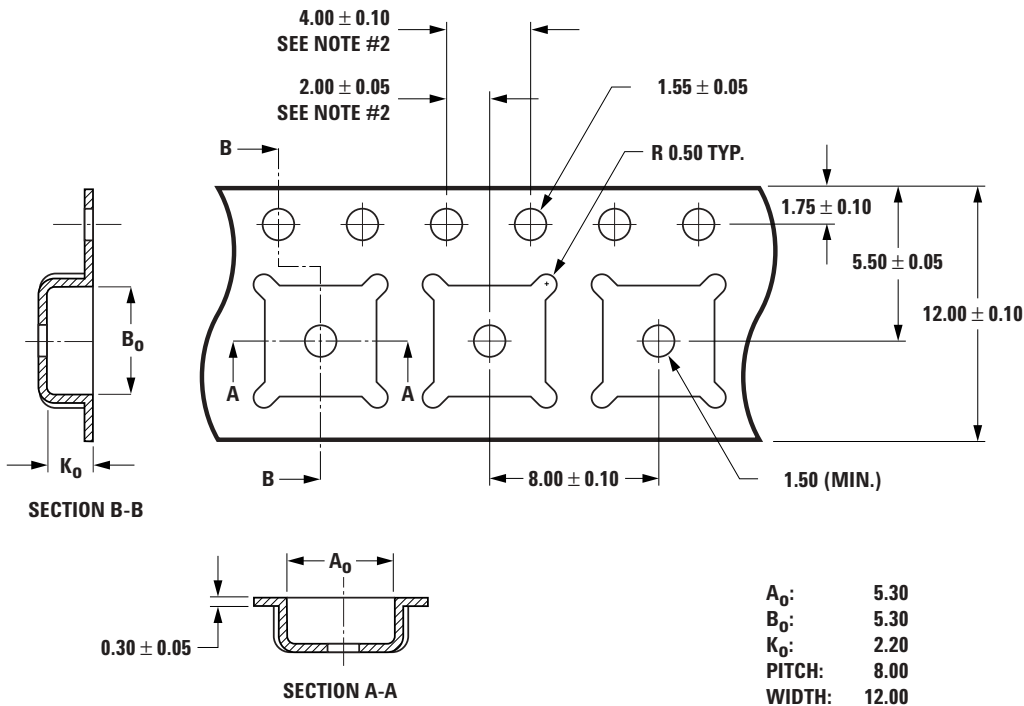
- The sensor component must be kept sealed in a MBB (Moisture Barrier Bag) stored at 30°C and 70%RH or less at all times.
- It should also be seal with a moisture absorbent material (Silica Gel) and an indicator card (Cobalt Chloride) to indicate the moisture within the bag.

### After Opening the MBB (Moisture Barrier Bag)

- The sensor component must be kept at 30°C and 60%RH or less
- The sensor component should have a MET (Manufacturing Exposure Time) of 24 hours starting from the time of removal from the MBB to the soldering oven.
- If unused sensor component remain, it is recommended to store them back to the MBB.
- If the indicator card has turned from blue to pink or it has exceeded the recommended MET (Manufacturing Exposure Time) of 24hrs, baking treatment should be performed using the following conditions before continue to IR reflow soldering.
- Baking Treatment: 24 hours at 125°C.

## Package Tape and Reel Dimensions

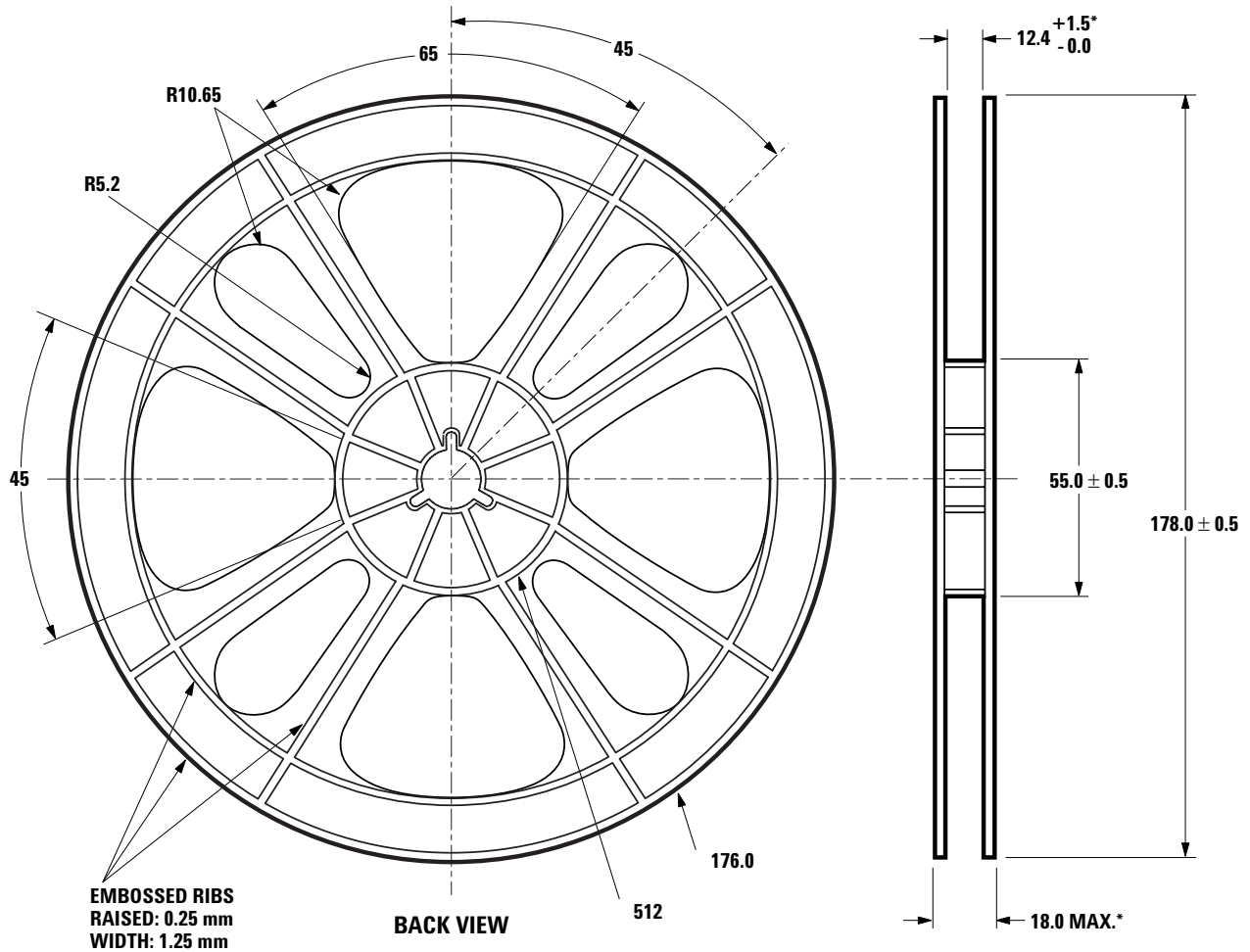
### Carrier Tape Dimensions



#### NOTES:

1.  $A_0$  AND  $B_0$  MEASURED AT 0.3 mm ABOVE BASE OF POCKET.
2. 10 PITCHES CUMULATIVE TOLERANCE IS  $\pm 0.2$  mm.
3. DIMENSIONS ARE IN MILLIMETERS (mm).

**Reel Dimensions**



- NOTES:**
1. \*MEASURED AT HUB AREA.
  2. ALL FLANGE EDGES TO BE ROUNDED.

For product information and a complete list of distributors, please go to our web site: [www.avagotech.com](http://www.avagotech.com)

Avago, Avago Technologies, and the A logo are trademarks of Avago Technologies, Pte. in the United States and other countries. Data subject to change. Copyright © 2006 Avago Technologies Pte. All rights reserved.  
 5989-4762EN - February 27, 2006

